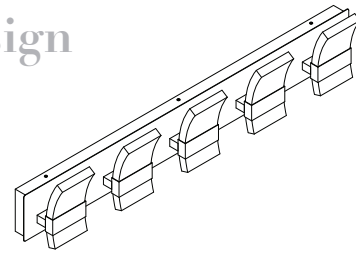




### Assembly and Installation Instructions for Model's

# 20088WV



## CAUTION - RISK OF FIRE

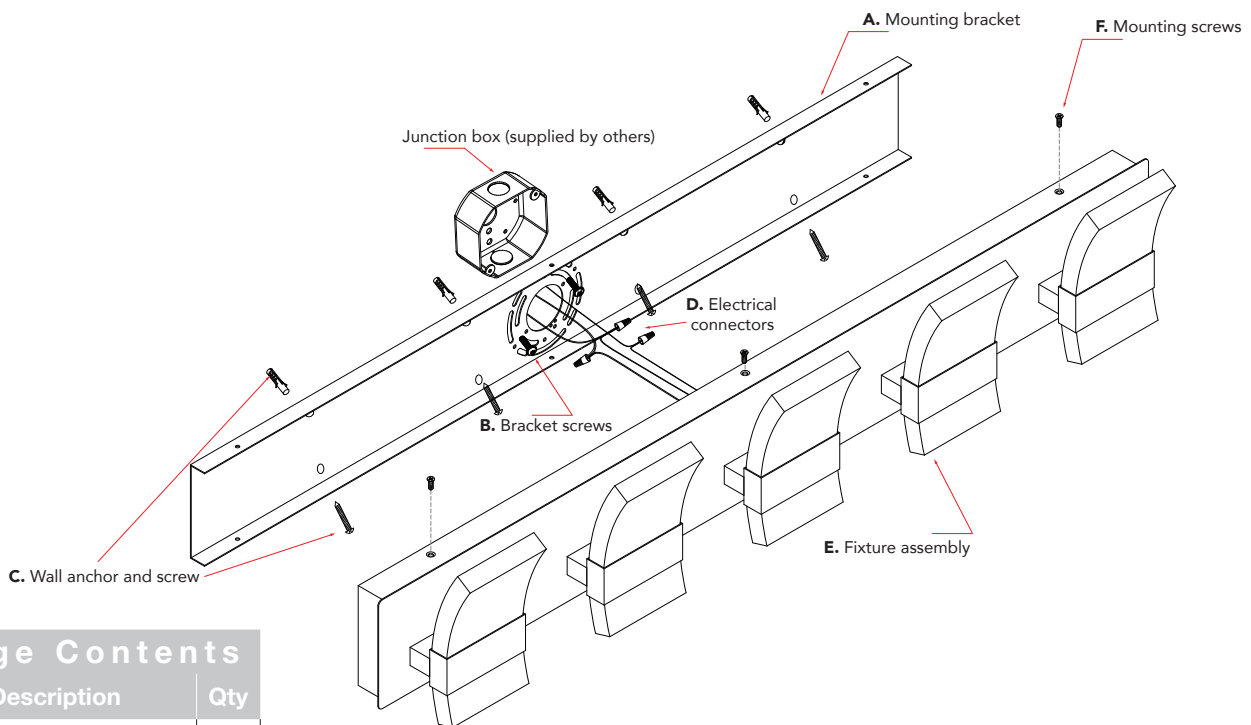
Installation of this fixture should be done by a licensed electrician or by a person familiar with local electrical codes and the construction and operation of this fixture.

**Warning** please make sure the electrical breaker is shut off before commencing with this installation

Read and familiarize yourself with these instructions before commencing

This fixture is certified for wall mounting only and is suitable for Damp locations and dimmable with a CL Dimmer

The fixture uses a 120v - 12v DC LED driver



### Package Contents

Part	Description	Qty
A	Fixture mounting bracket	1
B	Bracket screws	2
C	Wall anchors and screws	8
D	Wire connectors	3
E	Fixture assembly	1
F	Fixture mounting screws	6

### Installing the fixture *please ensure the electrical breaker is switched off before commencing*

- 1 Mark the location of the angle which the fixture will be installed by loosely attaching the Mounting bracket (A) to the Junction-Box and mark the position of eight holes required for the supplied anchors. (C). Remove the Mounting bracket and drill eight holes on these marks and insert the Plastic anchors. Re-attach the Mounting bracket with the two supplied mounting screws (B) to the Junction-Box and insert the supplied Anchor screws (C) into the Plastic anchors and securely tighten.
- 2 Connect the Supply wires to the Fixture wires using the supplied Electrical wire connectors (D). White supply wire to the White fixture wire, Black supply wire to Black fixture wire and the ground Bare Copper or Green wire to the Green fixture wire. Once the Electrical wire connectors are securely fastened it is recommended to tape these connectors with electrical tape.
- 3 Attach the Fixture assembly (E) to the Fixture mounting plate (A) and with the supplied Fixture mounting screws (F) and secure the top and bottom.
- 4 Switch on the electrical breaker switch and your new fixture is ready for many years of trouble free use

